

INTRODUCTION

We thank you for your interest in **Wakefield**, and hope that you find this catalog useful. It is our mission to search out the most cost effective and reliable equipment available, and offer it to you.

This is accomplished in two ways.

- We research the market to determine needs and future trends.
- We then look at new technology, and determine how to meet the current and future needs of the industry.

Our offering is based upon two major criteria:

- **Cost effectiveness:** fast payback is essential.
- **Reliability:** only quality products with a proven track record are considered.

As you go through this catalog, keep in mind that it is a listing of only our most popular products. If you don't find something, give us a call. If we don't offer it, we'll do our best to suggest an alternative, reliable source. Proposals are available from anything in this catalog, and will be faxed or e-mailed upon request. Also, in many cases, we can send you a video that shows the equipment in operation.

Wakefield has been providing innovative, laborsaving solutions to the fenestration industry for years, and has literally hundreds of satisfied customers. If you're not turning to us for your requirements, we encourage you to call. Satisfaction through service is our goal, and we would like to hear from you.

26720 Jefferson Court • Cleveland, OH 44140 • PH: 440-899-5658 • FX: 440-899-5661

WAKEFIELD EQUIPMENT

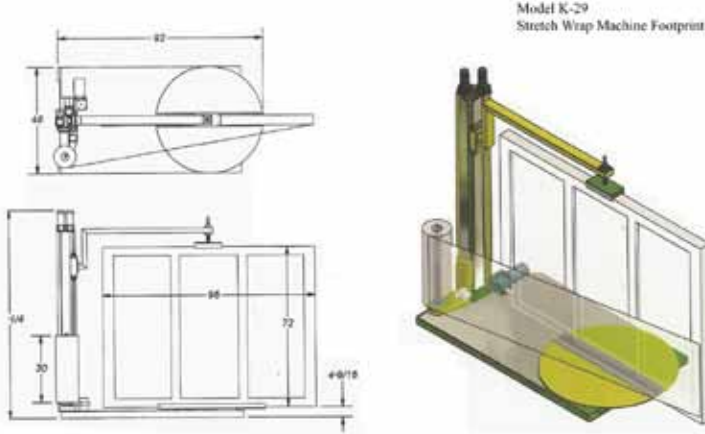
Visit Us Online:
www.WakefieldEquipment.com
EMAIL: Sales@WakefieldEquipment.com

LET WAKEFIELD EQUIPMENT HELP YOU PUT IT ALL TOGETHER

Glass Free Fall Equipment

Insulated Glass Assembly Line

WWW.WAKEFIELDEQUIPMENT.COM

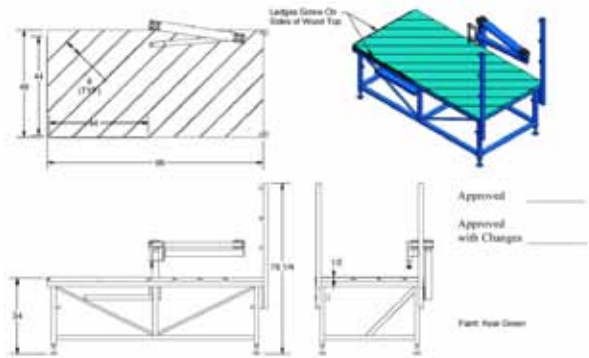


Model K-29
Stretch Wrap Machine Footprint

Stretch Wrapping and Screen Tables
Both vertical and horizontal wrappers to protect plus screen tables for improved quality.

WAKEFIELD EQUIPMENT

Wakefield Equipment Company is a division of Wakefield Equipment Company, Inc. All rights reserved. No part of this publication may be reproduced without the prior written permission of Wakefield Equipment Company, Inc.



WAKEFIELD EQUIPMENT

20720 Jefferson Court
Cleveland, Ohio 44140
Phone: 440.479.5438
Fax: 440.479.5441
Web: www.wakefieldequip.com

OUR MISSION

Wakefield specializes in the fenestration industry searching out the best possible products on the market. We know that no single equipment manufacturer is the best at everything, and that's why a careful selection process is necessary. Each machine in our line is qualified using two major criteria- price and performance. In addition, we make sure that they are state of the art. So, if you're looking for the best, turn to the experts. **We're here to help.**

WAKEFIELD EQUIPMENT